

Dometic-AireTM

Roof-Top Air Conditioner

KEEP THIS IMPORTANT BOOKLET

Please read this instruction booklet to become familiar with your new roof-top air conditioner and to prevent unnecessary service calls. If you should need service, be sure to report model number and serial number to the service agency. These numbers can be found on the dataplate located on the control box. It can be seen by removing the control panel.

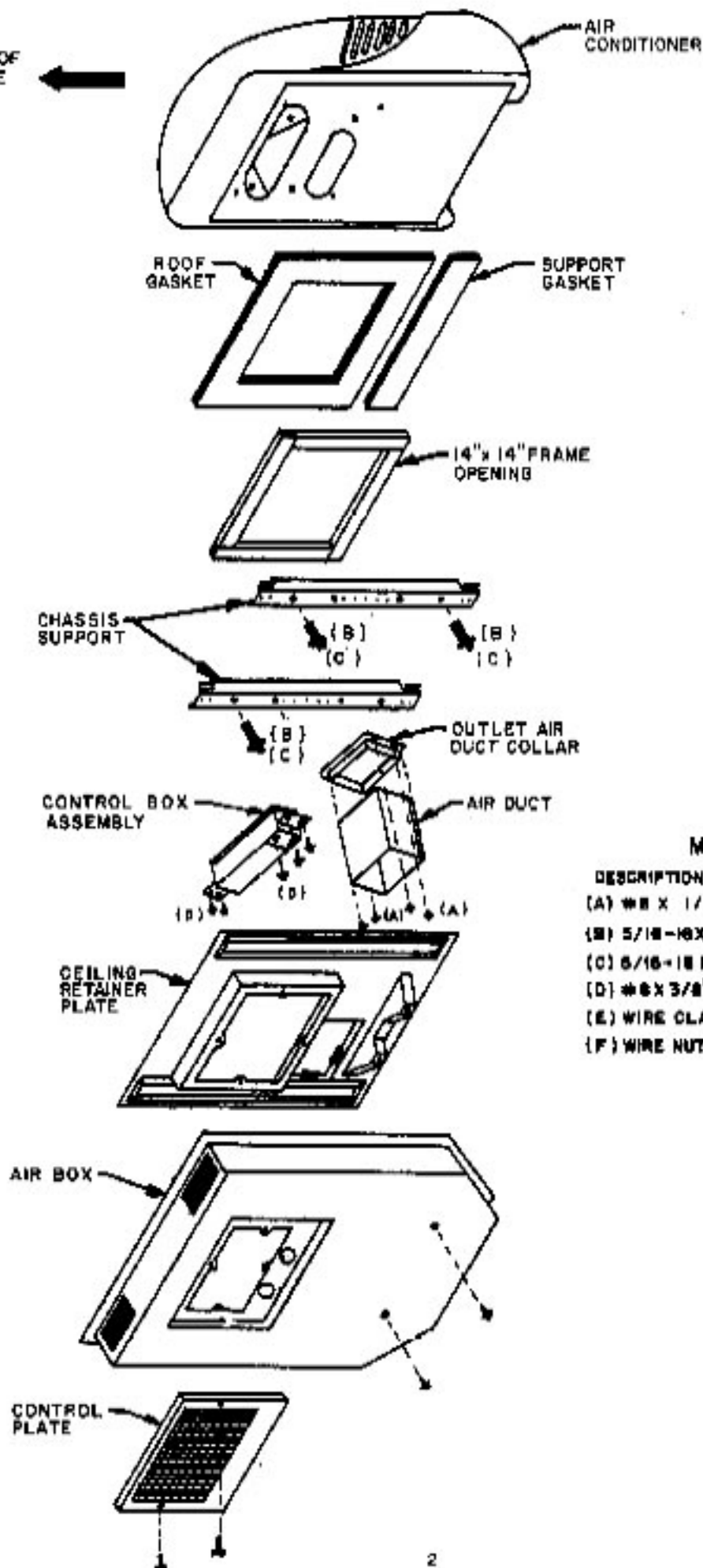
Model Number _____ Serial Number _____

Place of Purchase _____ Date Purchased _____

- **Installation**
- **Operation**
- **Maintenance**



FRONT OF
VEHICLE ←



MOUNTING PARTS

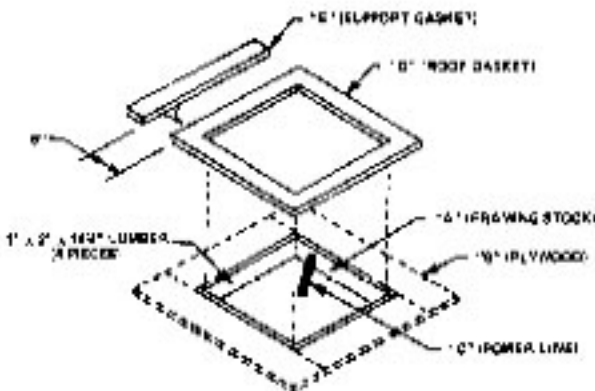
DESCRIPTION	QTY.
(A) #8 X 1/2" LG. SCREW	4
(B) 5/16-18 X 9" LG. THRD. ROD	4
(C) 5/16-18 NUT W/L'WASHER	4
(D) #8 X 3/8" LG. SCR. SLT. POINT	5
(E) WIRE CLAMP	1
(F) WIRE NUT CONNECTORS	2

INSTALLATION INSTRUCTIONS

For vehicles equipped with roof vent, remove vent and inside trim. Be sure vent opening measures 14" x 14" after removal. If no vent opening exists an opening will have to be cut in the roof. An existing opening smaller than 14" x 14" will have to be enlarged. (When enlarging an existing opening, be careful not cut existing power supply line).

It will be necessary when cutting an opening or enlarging an existing opening to make the rough opening larger than 14" x 14" and then frame with 1" x 2" x 14 3/4" lumber to a finished opening size of 14" x 14". (See Fig. 1). Be sure framing stock is the same thickness as roof. Drill hole in one side of framing stock for power supply line (See Fig. 1).

It is suggested in some applications, where the roof structure does not provide adequate support, that 1/4" plywood be placed around outer edges of opening, under the metal roofing (See Fig. 1).



NOTE: Apply a sealant or glue to the roof.

FIG. 1

Run power line to vent or roof opening. If vent fan was removed the existing wire may be used, providing it complies with the American National Standards Section A-119-1 or any revisions thereof and the National Electric Codes.

The power line should be a separate circuit utilizing a 20 AMP minimum time delay circuit breaker. The wire size for the supply line should be No. 12 AWG with ground, for distances up to 24 Ft.

CAUTION

TO PREVENT ELECTRICAL SHOCK, BE SURE CIRCUIT BREAKERS ARE OFF BEFORE PROCEEDING WITH INSTALLATION.

To mount roof gasket (See Fig. 1) peel off protective paper from the adhesive side of gasket. Center gasket over roof opening, adhesive side down. Peel off protective paper on support gasket and place this strip 6" back from mounting gasket towards rear of coach (See Fig. 1).

Align the air conditioning unit (See Fig. 2) over the mounting gasket using the recessed dimples located on the bottom of the unit. Place each dimple in the corners of opening for alignment. Make sure that the two drain holes are located away from the gasket to assure drainage onto roof of coach.

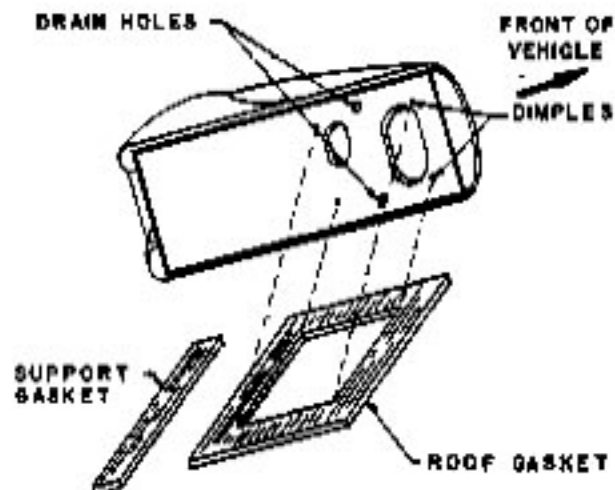


FIG. 2

From inside of coach fasten outlet duct collar in place with four #8 x 1/2" Lg. screws (see Fig. 3).

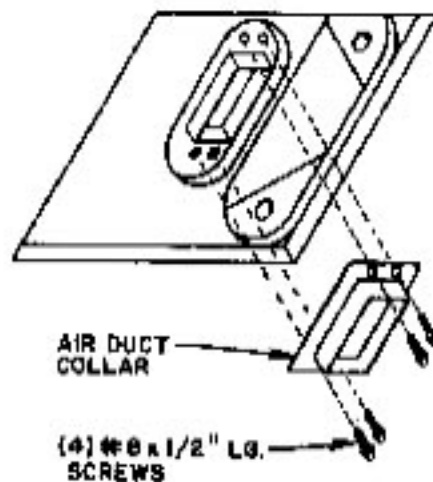


FIG. 3

Assemble lock nuts to the threaded rod hand tight.

Remove control plate from air box. Position ceiling retainer plate against ceiling. Install threaded rods with attached nuts (See Fig. 4). Rods should be tightened down evenly to assure a secure seal on roof.

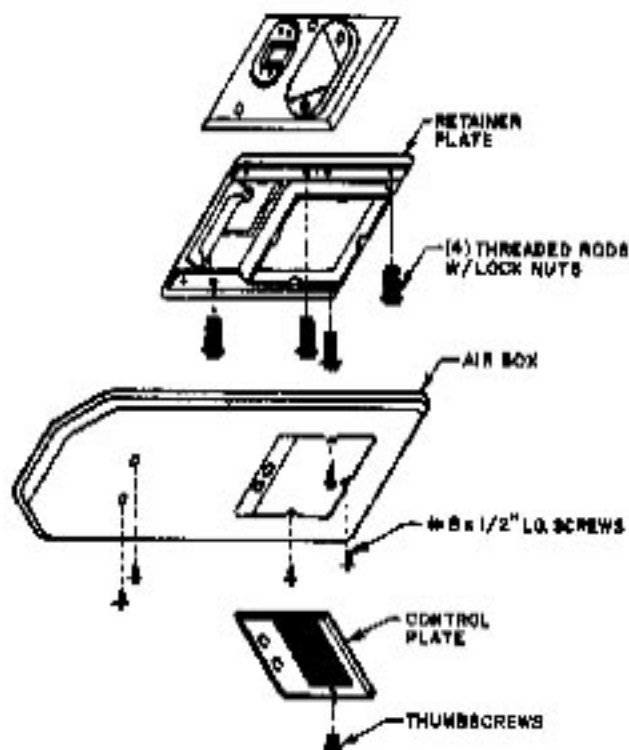


FIG. 4

Disassemble ceiling retainer plate from channel supports (See Fig. 5).

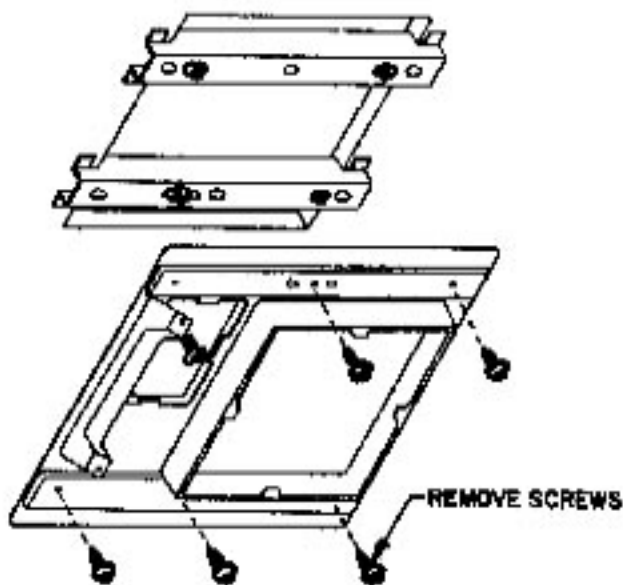


FIG. 5

Bring control box from inside base pan through ceiling opening and let hang inside coach. Slide wire clamp onto power supply and clamp into hole provided in control box (See Fig. 6). Connect black wire in control box to black wire from power supply (wire nuts provided in parts bag). Connect white wire in control box to white (neutral) wire from power supply. Connect the green wire (ground) from the power supply to the identified ground screw in control box (See Fig. 6). Install control box access plate with one #8 X 1/2" Lg. blunt point screw.

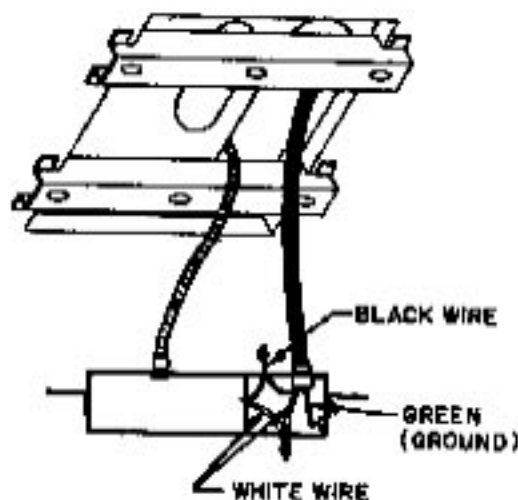


FIG. 6

Uncoil thermobulb from around control box. Position control box onto channel supports (See Fig. 7). Fasten together with four #8 X 1/2" Lg. blunt point screws.

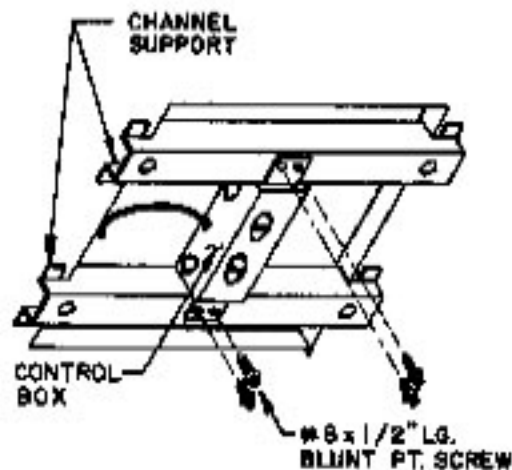


FIG. 7

Reassemble ceiling retainer plate to channel supports. Place thermobulb into holder provided (See Fig. 8).

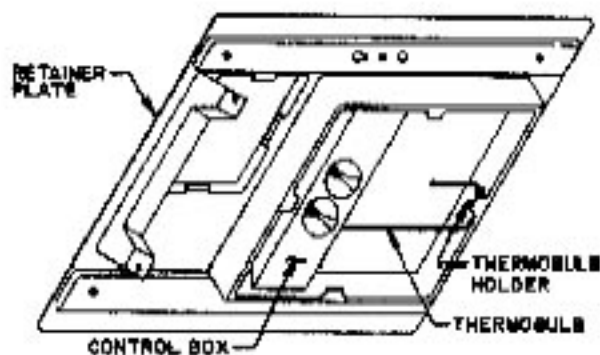


FIG. 8

Slide air duct through retainer plate opening and over flanges of air duct collar. Measure distance from top of air duct collar to bottom of tab on ceiling retainer. Subtract $\frac{1}{8}$ " from this measurement and scribe a line. Remove air duct and cut with scissors on scribed line (See Fig. 9).

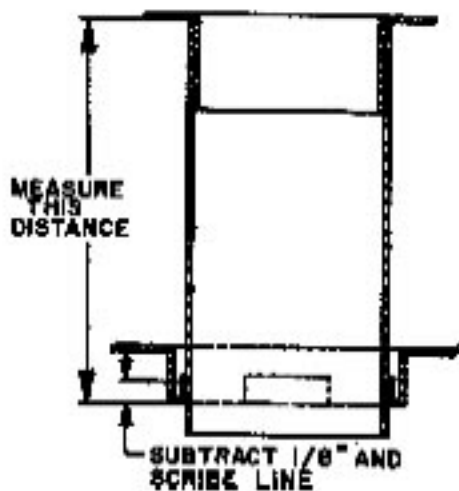


FIG. 9

Replace air duct onto collar and slide bottom edge of duct over tabs on retainer plate (See Fig. 10).

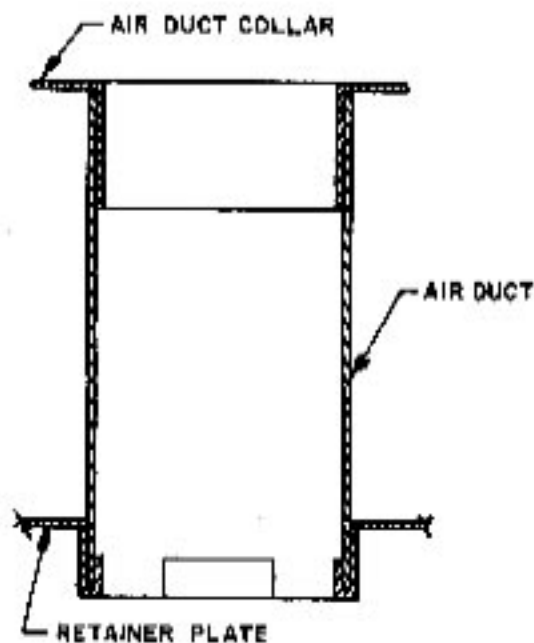
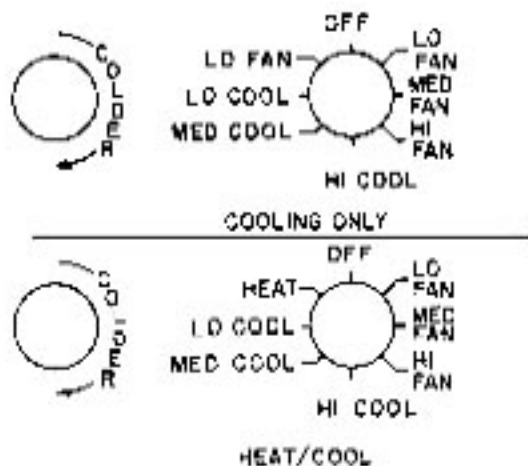


FIG. 10

Reassemble air box to retainer plate. Install control panel. Turn on power supply.

OPERATING INSTRUCTIONS



LO FAN	Low speed fan only
MED. FAN	Medium speed fan only
HI FAN	High speed fan only
HI COOL	High speed fan with cooling only
MED COOL	Medium speed fan with cooling only
LO COOL	Low speed fan with cooling only
HEAT	Heating

NOTE: Compare the control panel diagrams with the control panel on your unit and read the instructions that apply to your model.

TO COOL:

- Close all windows and doors.
- Turn thermostat clockwise to its highest setting.
- Set selector switch to MED COOL position. On extremely hot days, when maximum cooling is required, set selector switch to HI COOL.
- If room becomes too cool, turn the thermostat back counter clockwise; if too warm, re-set in clockwise direction. Within a short time, you will learn the exact thermostat setting that gives you the temperature you prefer.
- To reduce the rate of cool air delivered to the room, set the selector switch to LO COOL position.

TO HEAT:

- Set selector switch to HEAT Position.

NOTE: This model is not a substitution for a primary heating system. The unit is designed to warm the air during moderately cool days/nights.

TO CIRCULATE AND FILTER AIR:

- Set selector switch to one of the fan settings.

TO DIRECT AIR FLOW:

- Adjust louvers on air box for direction of air desired. Louvers can be closed to direct the desired distribution.

TO TURN UNIT OFF:

- Set selector switch to OFF position.

IMPORTANT:

- Wait three minutes before restarting.

GENERAL MAINTENANCE

Filter:

A clean filter assures maximum cooling and peak filtering action. It should be inspected and cleaned every two weeks during the season when the unit is in use. For access to the filter, remove control panel from air box housing and lift off filter.

Clean filter by rinsing in warm water. Dry filter before replacing. To replace filter, press filter firmly against filter retainer then fasten control panel on air box housing.

CAUTION: Never operate your air conditioner without a filter.

Air Box Housing:

Clean air box housing and control panel with a soft cloth dampened with a mild detergent. Never use furniture polish or scouring powders.

Fan Motor:

Factory lubricated, and under normal use, requires no service.

Condenser and Evaporator Coils: At the beginning of each cooling season both condenser and evaporator coils must be cleaned. To avoid damaging fins, use a soft brush attachment of vacuum cleaner.

Frost formation on cooling coils: Under certain conditions, frost may form on the evaporator coil.

If this should occur, inspect the filter and clean if dirty. Make sure air louvers are not obstructed. Air conditioners have a greater tendency to frost when the outside temperature is relatively low. This may be prevented by adjusting the thermostat control knob to a warmer setting (counter clockwise). Should frosting continue, operate on lo, med, or hi fan only setting until the cooling coil is free of frost.

Don't call serviceman — Yet: In case of lower operating efficiency or failure to operate, check these points first before calling an authorized Dometic serviceman:

1. Not enough cooling:

Shut all windows and doors. Remove all obstructions from in front of louvers and return duct. Set unit to hi-cool position, and make sure thermostat has been set to its maximum cooling position.

2. If unit fails to start:

Adjust unit to a fan only position to determine if unit draws current. If fan does not operate check circuit breaker. When requesting service information, be sure to give model and serial numbers. The data plate for this unit is located on the control box. It can be seen by removing the control panel.

**DOMETIC
SALES CORPORATION**

2320 Industrial Parkway
P.O. Box 490
Elkhart, IN 46515
(219) 294-2511

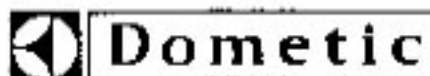
8155 Bryan Dairy Rd.
Largo, Fla. 33543
(813) 397-1405

14441 Bonehill St.
City of Industry, CA 91746
(213) 968-9631

7895 S.W. Hunziker Rd.
Portland, OR 97223
(503) 620-9810

902 Ave. R
Grand Prairie, TX 75050
(214) 641-4277

East Oak Ridge
Route 9, Box 17A
Hagerstown, MD 21740
(301) 797-0626



MODEL NO.:	QC110	QC135	QC110R	QC135R
Compressor	Piston	Piston	Rotary	Rotary
Compressor Capacity (BTU/Hr)	11,000	13,500	11,000	13,500
Locked Rotor AMPS	57.5	82.5	64.1	71.0
Full Load AMPS (Cooling)	13.5	15.5	13.4	15.3
Electric Heat	Optional	Optional	Optional	Optional
Heating Capacity (BTU/Hr)	5,100	5,100	5,100	5,100
Full Load Amps (Heating)	15.5	15.5	15.5	15.5
Volts — AC	115	115	115	115
Min. Circuit Ampacity (Cooling only)	16.3	18.7	16.2	18.5
Min. Circuit Ampacity (With Heater)	18.7	18.7	18.7	18.7
Min. Wire Size — AWG	12	12	12	12
Use A Time Delay Fuse or HACK Type Circuit Breaker	20 AMP	20 AMP	20 AMP	20 AMP